



Visualisation; Diagnostics

Easy to Configure

Programming IEC 61131-3

Rapid Installation

PSEN cs 4.2p/M12

PILZ

THE SPIRIT OF SAFETY

► PSEN sensor technology

This document is the original document.

All rights to this documentation are reserved by Pilz GmbH & Co. KG. Copies may be made for the user's internal purposes. Suggestions and comments for improving this documentation will be gratefully received.

Source code from third-party manufacturers or open source software has been used for some components. The relevant licence information is available on the Internet on the Pilz homepage.

Pilz®, PIT®, PMI®, PNOZ®, Primo®, PSEN®, PSS®, PVIS®, SafetyBUS p®, SafetyEYE®, SafetyNET p®, the spirit of safety® are registered and protected trademarks of Pilz GmbH & Co. KG in some countries.



SD means Secure Digital

| | |
|---|-----------|
| Introduction | 5 |
| Validity of documentation | 5 |
| Using the documentation | 5 |
| Definition of symbols | 5 |
| | |
| Safety | 6 |
| Intended use | 6 |
| Safety regulations | 7 |
| Safety assessment | 7 |
| Additional documents that apply | 7 |
| Use of qualified personnel | 7 |
| Warranty and liability | 8 |
| Disposal | 8 |
| For your safety | 8 |
| | |
| Unit features | 9 |
| | |
| Function description | 10 |
| Basic function | 10 |
| Block diagram | 11 |
| Safety Device Diagnostics | 11 |
| Operating distances | 12 |
| Lateral and vertical offset | 12 |
| | |
| Wiring | 14 |
| Important information | 14 |
| Terminal assignment connectors | 15 |
| | |
| Connection to evaluation devices | 15 |
| Single connection | 16 |
| Series connection | 18 |
| Connection to Pilz evaluation devices | 21 |
| | |
| Teaching in the actuator | 22 |
| | |
| Installation | 22 |
| General | 22 |
| Safety switch | 23 |
| Actuator cs2.1 or cs4.1 | 24 |
| Actuator cs3.1 low profile | 25 |
| Align safety switch and actuator | 29 |
| | |
| Adjustment | 29 |
| | |
| Operation | 30 |
| | |
| Dimensions in mm | 30 |
| Safety switch PSEN cs4.2p | 30 |

| | |
|--|-----------|
| Safety switch PSEN cs4.2 M12/8-0.15m | 31 |
| Actuator | 31 |
| Technical details safety switch | 33 |
| Technical details actuator | 36 |
| Classification according to ZVEI, CB24I | 39 |
| Safety characteristic data | 40 |
| Supplementary data | 41 |
| Radio approval | 41 |
| Order reference | 41 |
| Safety switch | 41 |
| Actuator | 41 |
| Complete systems | 42 |
| Accessories | 42 |
| EC declaration of conformity | 44 |

Introduction

Validity of documentation

This documentation is valid for the product PSEN cs4.2p/M12 from Version 2.0.

This operating manual explains the function and operation, describes the installation and provides guidelines on how to connect the product.

Using the documentation

This document is intended for instruction. Only install and commission the product if you have read and understood this document. The document should be retained for future reference.

Definition of symbols

Information that is particularly important is identified as follows:



DANGER!

This warning must be heeded! It warns of a hazardous situation that poses an immediate threat of serious injury and death and indicates preventive measures that can be taken.



WARNING!

This warning must be heeded! It warns of a hazardous situation that could lead to serious injury and death and indicates preventive measures that can be taken.



CAUTION!

This refers to a hazard that can lead to a less serious or minor injury plus material damage, and also provides information on preventive measures that can be taken.



NOTICE

This describes a situation in which the product or devices could be damaged and also provides information on preventive measures that can be taken. It also highlights areas within the text that are of particular importance.

**INFORMATION**

This gives advice on applications and provides information on special features.

Safety**Intended use**

The safety functions of the safety switch are:

- ▶ Safe shutdown of safety outputs when the actuator is removed beyond the assured release distance s_{ar} or when the actuator is not detected
- ▶ Remain shut down safely after the actuator has been removed

The safety switch meets the requirements in accordance with:


- ▶ EN 60947-5-3: PDDb with one of the approved actuators
- ▶ EN 62061: SIL CL 3
- ▶ EN ISO 13849-1: PL e (Cat. 4)
- ▶ EN ISO 14119: Coding level High, type 4

The safety switch may only be used with one of the approved actuators.

The safety level PL e (Cat. 4)/SIL CL 3 is only achieved if

- ▶ the safety outputs use 2-channel processing.

The following is deemed improper use in particular

- ▶ Any component, technical or electrical modification to the product,
- ▶ Use of the product outside the areas described in this manual,
- ▶ Use of the product outside the technical details (see [Technical details](#)  33).

**NOTICE****EMC-compliant electrical installation**

The product is designed for use in an industrial environment. The product may cause interference if installed in other environments. If installed in other environments, measures should be taken to comply with the applicable standards and directives for the respective installation site with regard to interference.

Approved actuators:

- ▶ PSEN cs4.1
- ▶ PSEN cs2.1
- ▶ PSEN cs4.1 low profile glue
- ▶ PSEN cs4.1 low profile screw

Safety regulations

Safety assessment

Before using a device it is necessary to perform a safety assessment in accordance with the Machinery Directive.

Functional safety is guaranteed for the product as a single component. However, this does not guarantee the functional safety of the overall plant/machine. In order to achieve the required safety level for the overall plant/machine, define the safety requirements for the plant/machine and then define how these must be implemented from a technical and organisational standpoint.

Additional documents that apply

Please read and take note of the following documents.

Only for use of the Safety Device Diagnostics (SDD):

- ▶ Operating manual for the fieldbus module, for example SDD ES ETH or SDD ES PROFIBUS
- ▶ System description "Safety Device Diagnostics"

For the use of passive junctions:

- ▶ Operating manual of a passive junction, for example:
 - PSEN ix2 F4 code
 - PSEN ix2 F8 code
 - PDP67 F 4 code
 - PSEN Y junction M12 sensor
 - PSEN Y junction M12 cable

You will need to be conversant with the information in these documents in order to fully understand this operating manual.

Use of qualified personnel

The products may only be assembled, installed, programmed, commissioned, operated, maintained and decommissioned by competent persons.

A competent person is a qualified and knowledgeable person who, because of their training, experience and current professional activity, has the specialist knowledge required. To be able to inspect, assess and operate devices, systems and machines, the person has to be informed of the state of the art and the applicable national, European and international laws, directives and standards.

It is the company's responsibility only to employ personnel who

- ▶ Are familiar with the basic regulations concerning health and safety / accident prevention,
- ▶ Have read and understood the information provided in the section entitled Safety
- ▶ Have a good knowledge of the generic and specialist standards applicable to the specific application.

Warranty and liability

All claims to warranty and liability will be rendered invalid if


- ▶ The product was used contrary to the purpose for which it is intended,
- ▶ Damage can be attributed to not having followed the guidelines in the manual,
- ▶ Operating personnel are not suitably qualified,
- ▶ Any type of modification has been made (e.g. exchanging components on the PCB boards, soldering work etc.).

Disposal

- ▶ In safety-related applications, please comply with the mission time T_M in the safety-related characteristic data.
- ▶ When decommissioning, please comply with local regulations regarding the disposal of electronic devices (e.g. Electrical and Electronic Equipment Act).

For your safety**WARNING!****Loss of safety function due to manipulation of the interlocking device**

Manipulation of the interlocking device may lead to serious injury and death.

- You should prevent any possibility of the interlocking device being manipulated through the use of a spare actuator.
- Keep the substitute actuator in a safe place and protect it from unauthorised access.
- If spare actuators are used, these must be installed as described in [Installation](#) [ 22].
- If the original actuators are replaced with substitute actuators, the original actuators must be destroyed before disposal.

- ▶ Do not remove the connector's protective cap until you are just about to connect the unit. This will prevent potential contamination.

Unit features

- ▶ Transponder technology for presence detection
- ▶ Pilz coding type: uniquely coded
- ▶ Dual-channel operation
- ▶ 2 safety inputs for series connection of multiple safety switches
- ▶ 2 safety outputs
- ▶ Safety Device Diagnostics (SDD)
 - Safety Device Diagnostics can be used to poll sensor information, to perform actions and to read configuration parameters
 - Manipulation protection in accordance with ISO 14119 is possible by verifying the short name of the actuator through the controller via SDD communication
- ▶ Diagnostic input for Y1 for Safety Device Diagnostics (SDD)
- ▶ Signal output/diagnostic output Y32 for Safety Device Diagnostics
- ▶ 1 signal output
- ▶ LED display for:
 - State of the actuator
 - State of the inputs
 - Supply voltage/fault
- ▶ 1 direction of actuation
- ▶ Connection types:
 - PSEN cs4.2p: 8-pin M8 male connector
 - PSEN cs4.2 M12/8-0.15m: 8-pin M12 male connector

Function description

Basic function

The safety outputs may have a high or low signal, depending on the position of the actuator and the signal status of the inputs.

In a safe condition the safety outputs are in the OFF state.

Electrical states of the inputs and outputs (when safety switch is ready for operation: Power/Fault LED is green):

| Actuator within the response range | Safety input S11 | Safety input S21 | Safety output 12 | Safety output 22 | Signal output Y32 (without use of the SDD) |
|------------------------------------|------------------|------------------|------------------|------------------|--|
| Yes | High | High | High | High | High |
| Yes | Low | Low | Low | Low | High |
| No | x | x | Low | Low | Low |
| Yes | High | Low | High | Low | High |
| Yes | Low | High | Low | High | High |

x: High or low signal

Plausibility monitoring for safety inputs S11 and S21

- ▶ If one safety input switches from high to low, while the other safety input remains high, an unequal status is displayed: **Input LED flashes yellow**
- ▶ If this safety input switches back from low to high, while the other safety input remains high, a plausibility error is displayed and a partial operation lock is triggered: **Input LED flashes yellow**

A switch to a high signal will only lead to normal safety switch operation if both inputs had a low signal. From this moment on, the switch to high may occur (partial operation lock see [Error display \[30\]](#)).

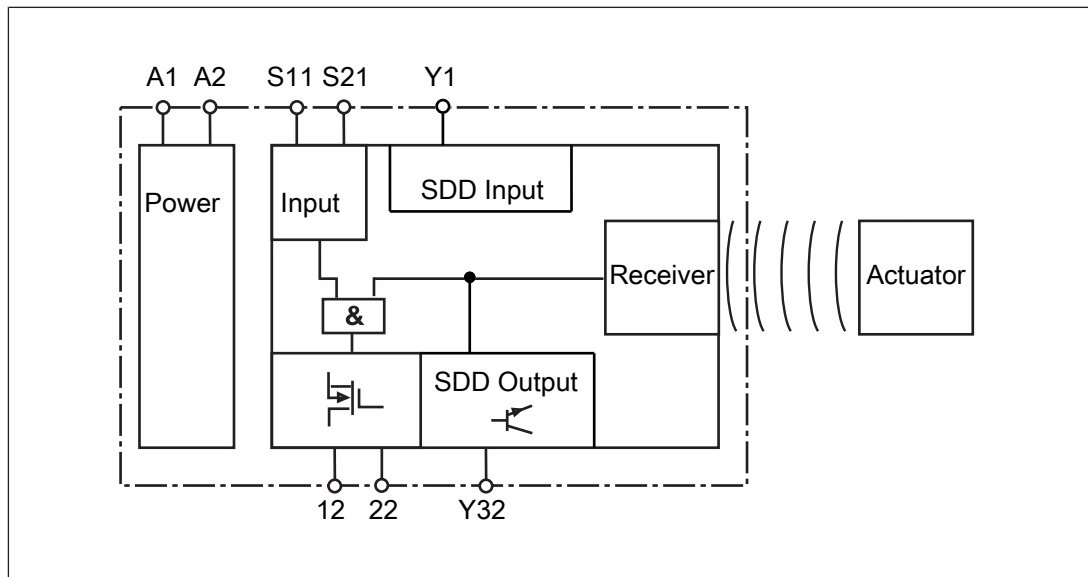
▶ Diagnostic input Y1

If a fieldbus module of the SDD is used, the diagnostic input Y1 is automatically activated and data is read.

If no fieldbus module of the SDD is used, the diagnostic input Y1 is not used.

▶ Signal output/diagnostic output Y32

The status of the actuator is output. If a fieldbus module of the SDD is used, the signal output/diagnostic output for the writing of data is activated.

Block diagram**Safety Device Diagnostics**

Safety Device Diagnostics is an option that can be selected independently of the safety-related wiring.

When using the Safety Device Diagnostics, up to 16 sensors connected in series can be connected as a subscriber to a fieldbus module.

The communication of the sensors with the fieldbus module is automatically built up again with each new supply of the supply voltage. As a result, a sensor can be exchanged, e.g. when servicing, without the need for special measures.

An exchange can be detected via the fieldbus module e.g. through the serial number.

► With Safety Device Diagnostics there are the following diagnostic options for the fieldbus module:

- Poll information of the sensors (examples: what sensor in the series has switched, at what point could there be an open circuit in the series connection)
- Read configuration parameters of the sensor (examples: Number of teach-in processes remaining, serial number of the sensor)
- Perform actions (example: poll updated actuator name)

The results of the sensor diagnostics can be checked already during the installation phase via the display in the fieldbus module, without the need to connect the fieldbus module to the network.

► With Safety Device Diagnostics there are the following diagnostic options for the fieldbus module for simple wiring:

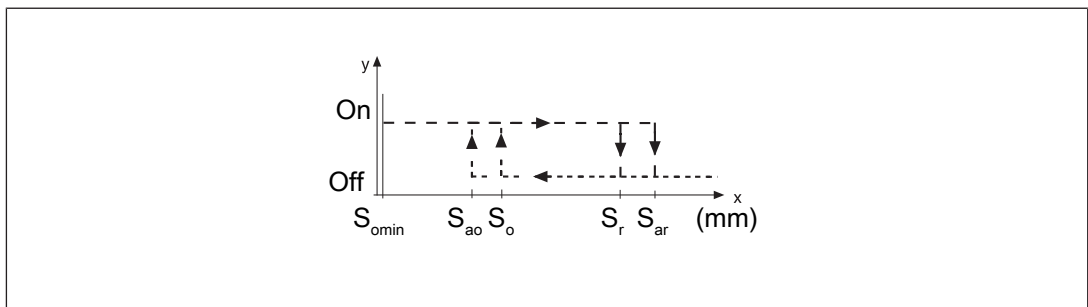
- Information is passed on via the fieldbus module directly to the network
- Mappings of the signal outputs to the sensor are automated by the SDD.

This prevents wiring errors and an expansion or reduction of the sensors is possible without the need to change existing wiring.

- Wiring in accordance with IP20: Rapid installation in the control cabinet is enabled.
- Wiring in accordance with IP67: Various passive junctions can be used (see [Order references for accessories \[42\]](#)) to connect several sensors with only one cable from the field in the control cabinet.

Further information on Safety Device Diagnostics can be found in [Additional documents that apply \[7\]](#).

Operating distances



Legend

- S_{ao} Assured operating distance
- S_{omin} Min. operating distance
- S_{ar} Assured release distance

The offset-independent values for the switching distances are included in the [Technical details \[33\]](#).

Lateral and vertical offset

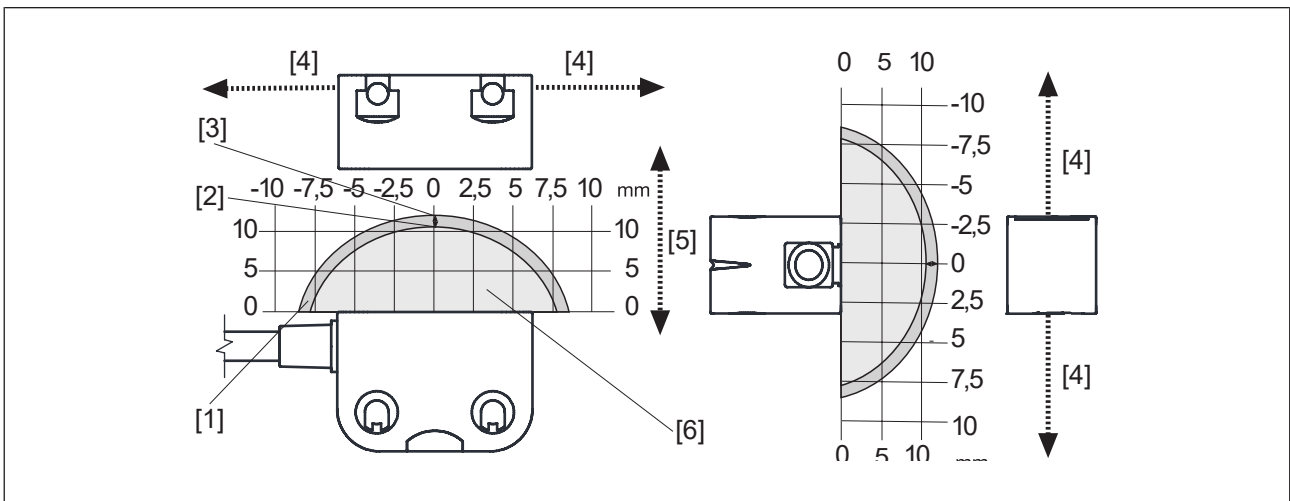


Fig.: Safety switches PSEN cs4.2p/M12 with actuator PSEN cs4.1

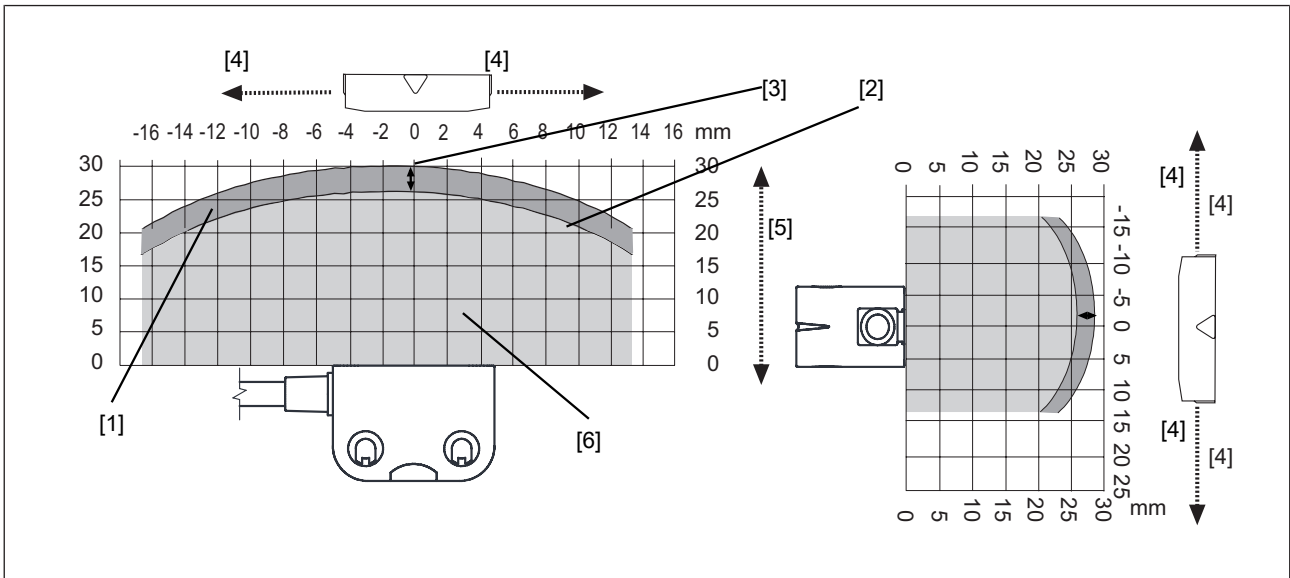


Fig.: Safety switches PSEN cs4.2p/M12 with actuator PSEN cs2.1

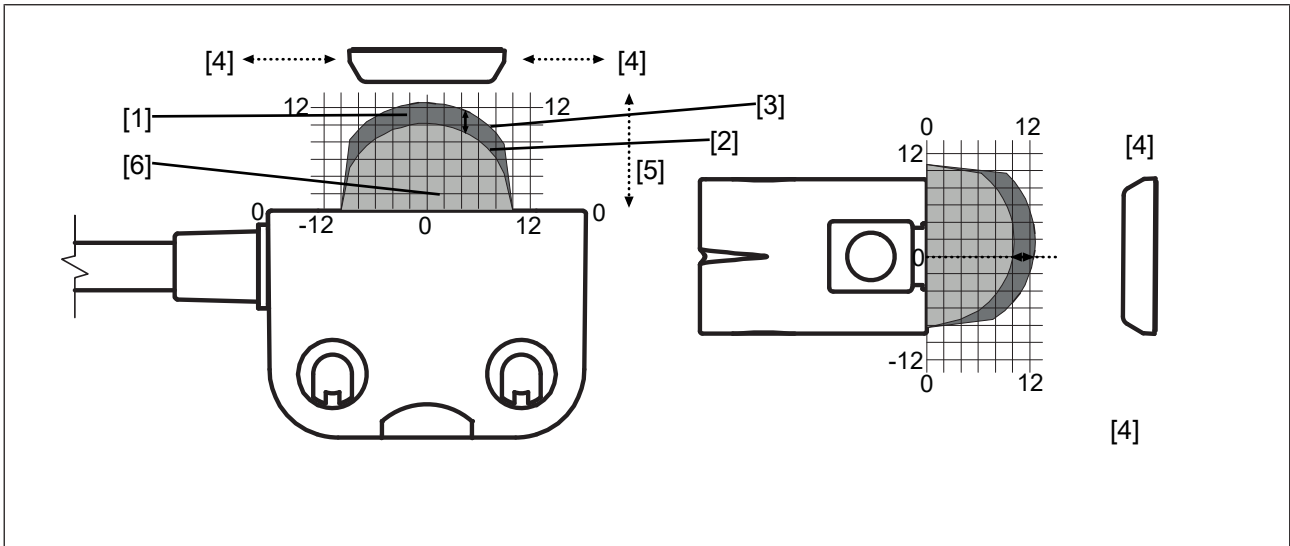


Fig.: Safety switches PSEN cs4.2p/M12 with actuator PSEN cs4.1 low profile glue or PSEN cs4.1 low profile screw

Legend

- [1] Hysteresis
- [2] Typical operating distance S_o
- [3] Typical release distance S_r
- [4] Offset in mm
- [5] Operating distance in mm
- [6] Response range

Wiring

Important information

- ▶ Information given in the [Technical details \[33\]](#) must be followed.
- ▶ Switch off the supply voltage before disconnecting the plug-in connection.
- ▶ Make sure that when connecting or separating the connector the pollution degree 1 or 2 is maintained.
- ▶ The max. cable length l_{\max} in the input circuit is calculated from
 - the max. cable capacitance at the safety outputs (see [Technical data \[33\]](#)).
 - the minimum permitted supply voltage at the safety switch (19.2 V).
- ▶ The power supply must meet the regulations for extra low voltages with protective electrical separation (SELV, PELV).
- ▶ The inputs and outputs of the safety switch must have a protective separation to voltages over 60 VDC.

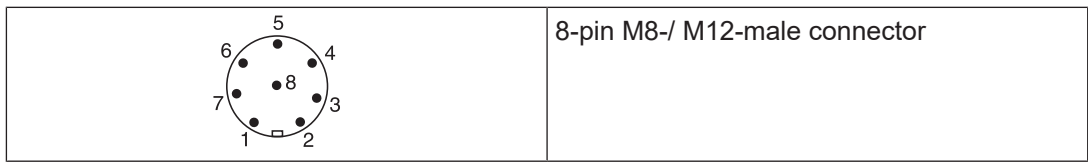


INFORMATION

Only use safety relays with a 24 VDC supply voltage. Safety relays with a wide-range power supply or in AC device versions have internal potential isolation and are not suitable as evaluation devices.

- ▶ The supply voltage to the safety switch must be protected with a 2 A to 4 A quick-acting fuse.
- ▶ Ensure the wiring and EMC requirements of EN 60204-1 are met.
- ▶ When connecting in series, consider the requirements of manipulation protection and the protection against bypassing or from overriding the safety switch (EN ISO 14119).
- ▶ When the safety inputs of the safety switch are controlled by an upstream device, and they are not wired with 24 V,
 - They must be monitored for shorts across contacts (e.g. by PSEN cs, PSEN ml, PSEN sg or PSEN sl) **or**
 - The faults at the safety inputs that can occur by shorts across contact will have to be excluded by suitable measures (e.g. wiring in accordance with EN 602041).

Terminal assignment connectors



| PIN | Connection designation | Function | Wire colour |
|-----|------------------------|---------------------------------|-------------|
| 1 | S21 | Input, channel 2 | white |
| 2 | A1 | +24 VUB | brown |
| 3 | 12 | Output, channel1 | green |
| 4 | 22 | Output, channel2 | yellow |
| 5 | Y32 | Signal output/diagnostic output | grey |
| 6 | S11 | Input, channel 1 | pink |
| 7 | A2 | 0 V UB | blue |
| 8 | Y1 | Diagnostics input | red |

The wire colour also applies for the cable available from Pilz as an accessory.

Connection to evaluation devices

Make sure that the selected evaluation device has the following property:

- ▶ OSSD signals are evaluated through 2 channels with plausibility monitoring

Please note:

- ▶ Information given in the [Technical details \[33\]](#) must be followed.
- ▶ The use of Safety Device Diagnostics is described in the System Description "Safety Device Diagnostics".



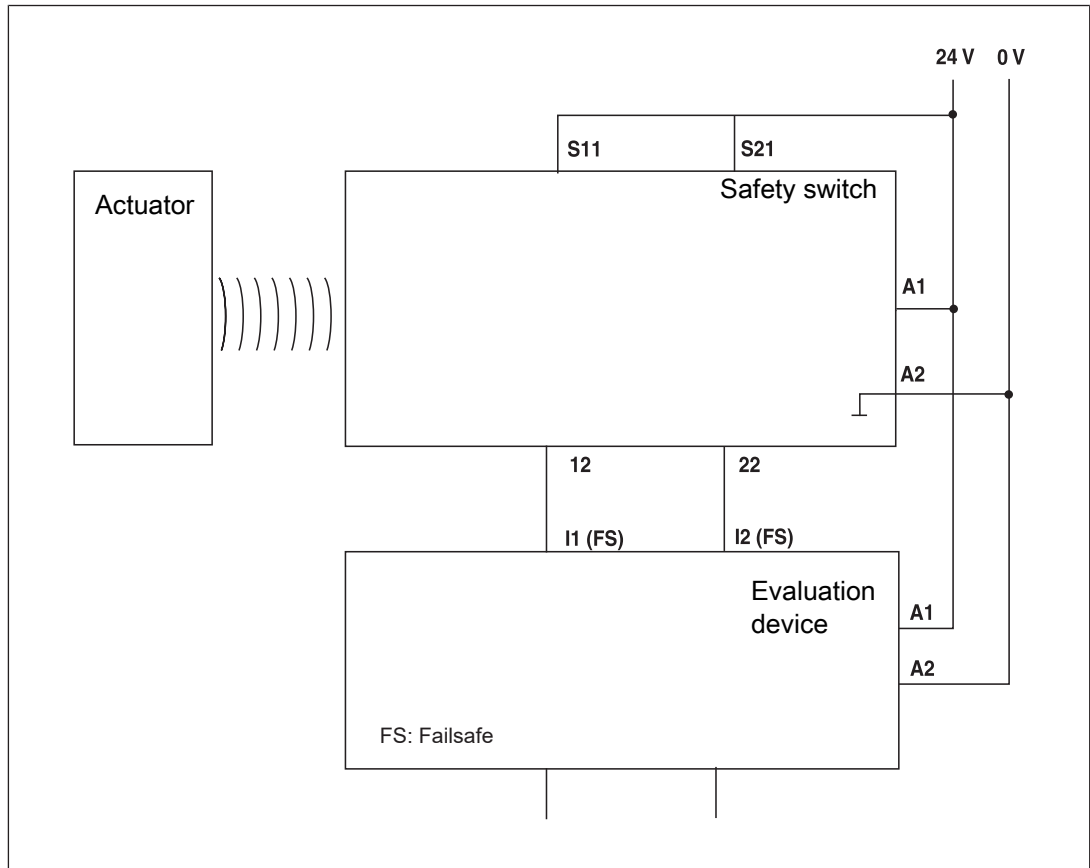
CAUTION!

Do not connect the signal output to 0 V!

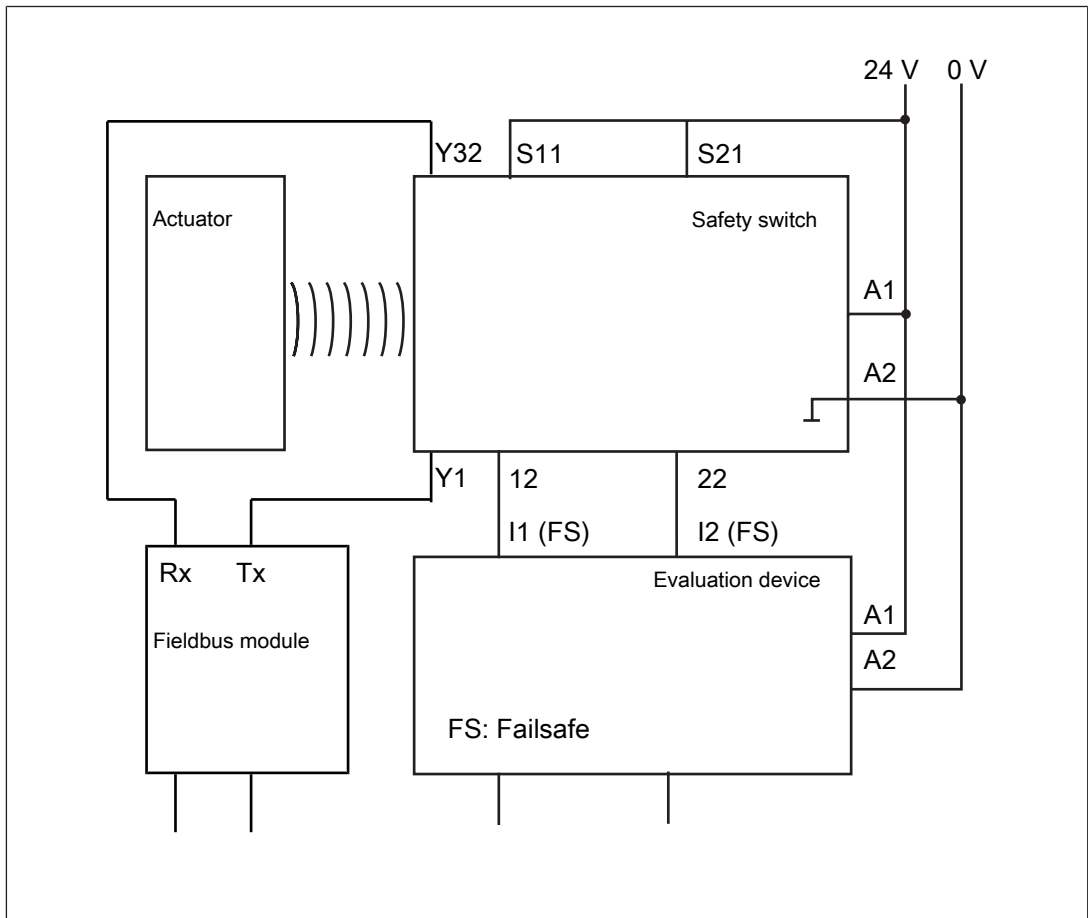
If the signal output Y32 is connected to 0 V, the safety switch may be damaged as a result. Connect the signal output Y32 to a consumer, e.g. to the input on a control system, or leave the signal output unconnected. Also note the max. current (see [Technical details \[33\]](#)).

Single connection

Connection diagram, single connection without SDD



Connection diagram, single connection with SDD



Series connection

The safety sensors PSENcode are also suitable for series connection with other sensors.

Maximum number of PSENcode sensors switched in series connections for SIL CL 3 using SDD

- ▶ PSENcode compact design (PSEN cs3 – cs4, 8-pin): 12

When using other SDD-compatible sensors, the number must be recalculated.

In practice, the maximum possible number will be limited by the following parameters, among others:

- ▶ The required SIL level (e.g. SIL CL 3),
- ▶ the required performance level (e.g. PL e (Cat. 4)),
- ▶ the maximum delay or risk time permitted by the application.

Ensure there is sufficient supply voltage, taking inrush currents and fusing into consideration.



CAUTION!

Extension of delay-on de-energisation

When several (n) devices are connected in series, the delay-on de-energisation time adds with the number of interconnected safety switches.

The max. delay-on de-energisation is made up of the

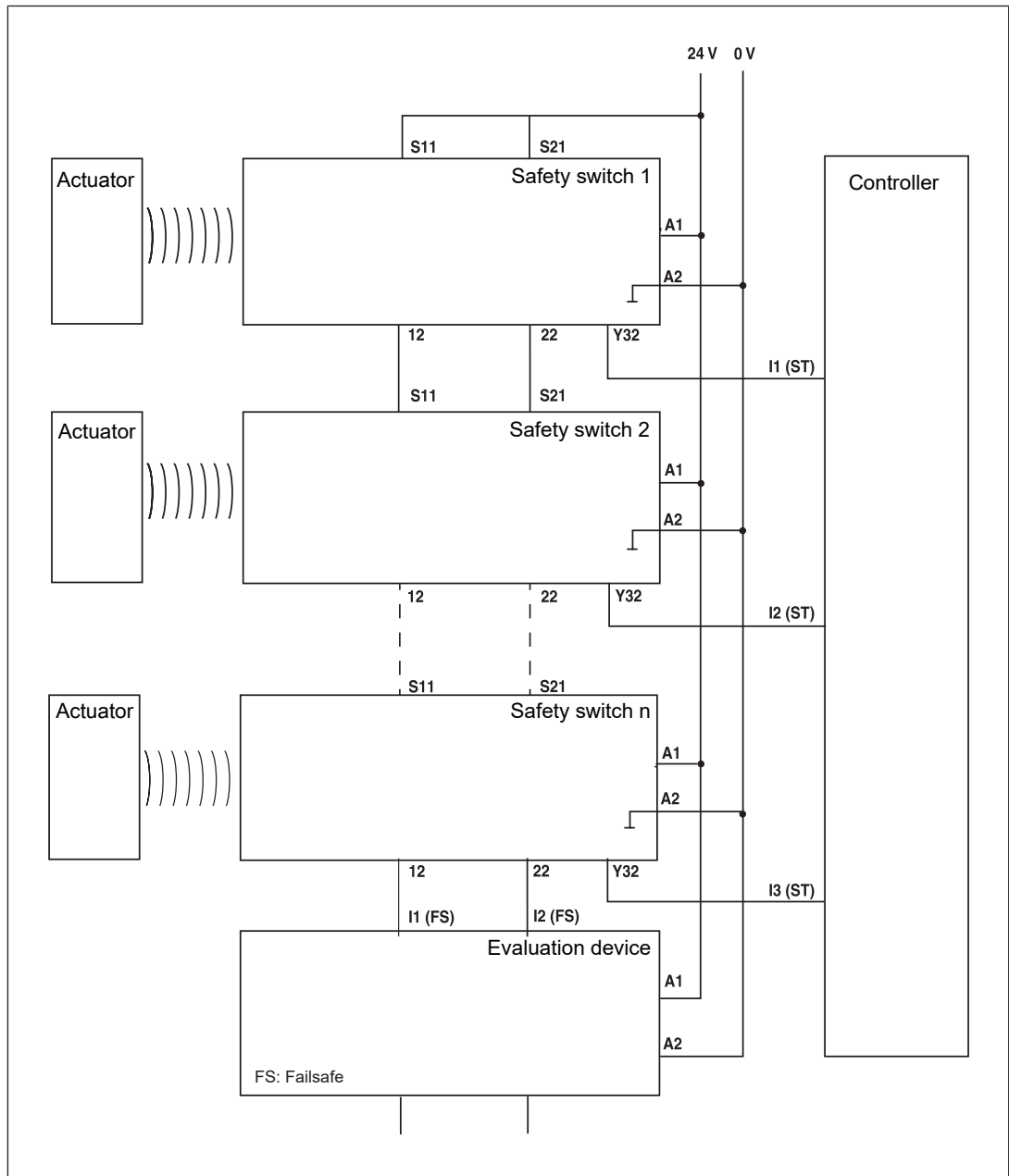
risk time (see [Technical details](#) [ 33])

+ (n-1) x max. delay-on de-energisation of the inputs

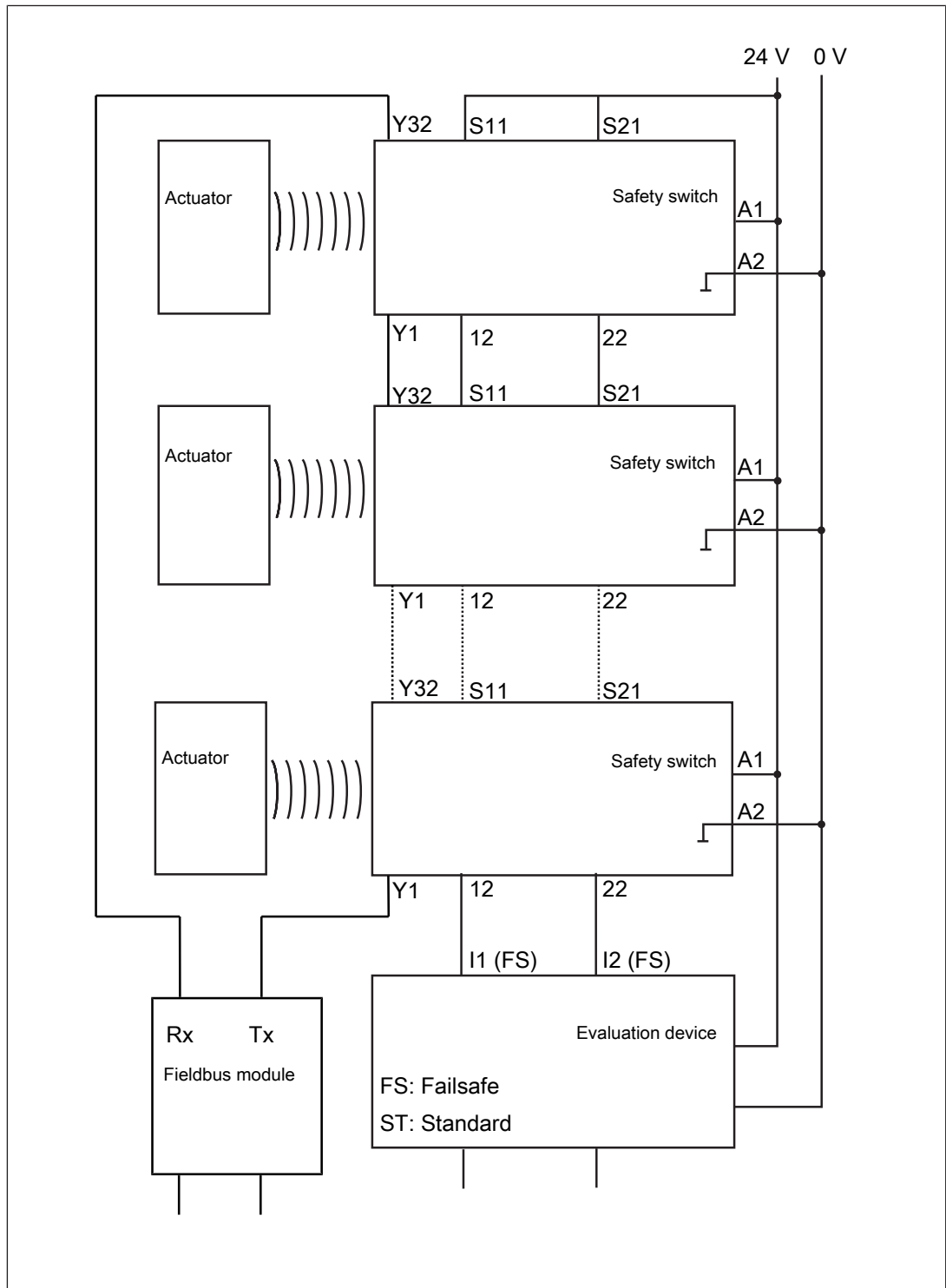
+ max. delay-on de-energisation of the evaluation device

- ▶ When making series connections using SDD, only use the following passive junctions.
 - PSEN ix2 F4 code
 - PSEN ix2 F8 code
 - PSEN Y junction M8-M12/M12 PIGTAIL
 - PSEN Y junction M12-M12/M12 PIGTAIL
 - PSEN Y junction M12 SENSOR
 - PSEN Y junction M12 cable channel
 - PSEN Y junction M8 SENSOR
 - PSEN Y junction M8 cable channel

Connection diagram, series connection without SDD



Connection diagram, series connection with SDD



Connection to Pilz evaluation devices

The safety switch PSEN cs4.2p/M12 can be connected to Pilz evaluation devices, for example.

Suitable Pilz evaluation devices are, for example:

- ▶ PNOZelog for safety gate monitoring
- ▶ PNOZpower for safety gate monitoring
- ▶ PNOZsigma for safety gate monitoring
- ▶ PNOZ X for safety gate monitoring
- ▶ PNOZmulti for safety gate monitoring

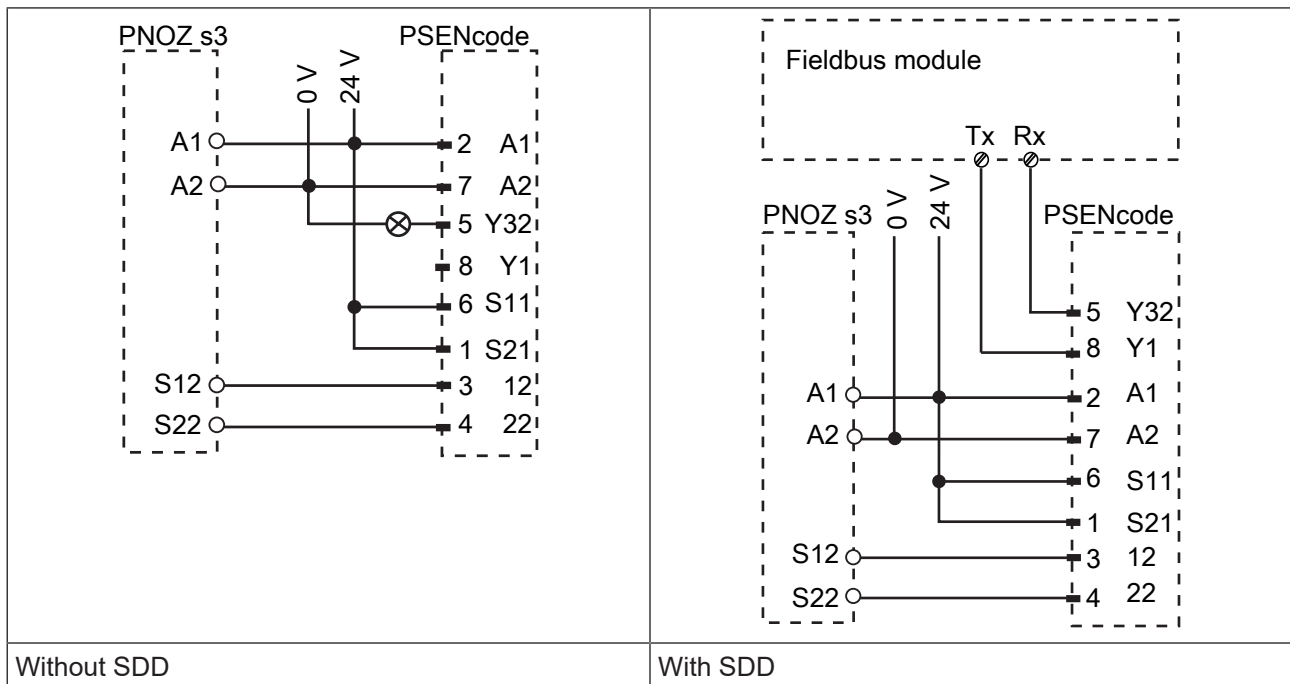
Configure the safety switch in the PNOZmulti Configurator with switch type 3.

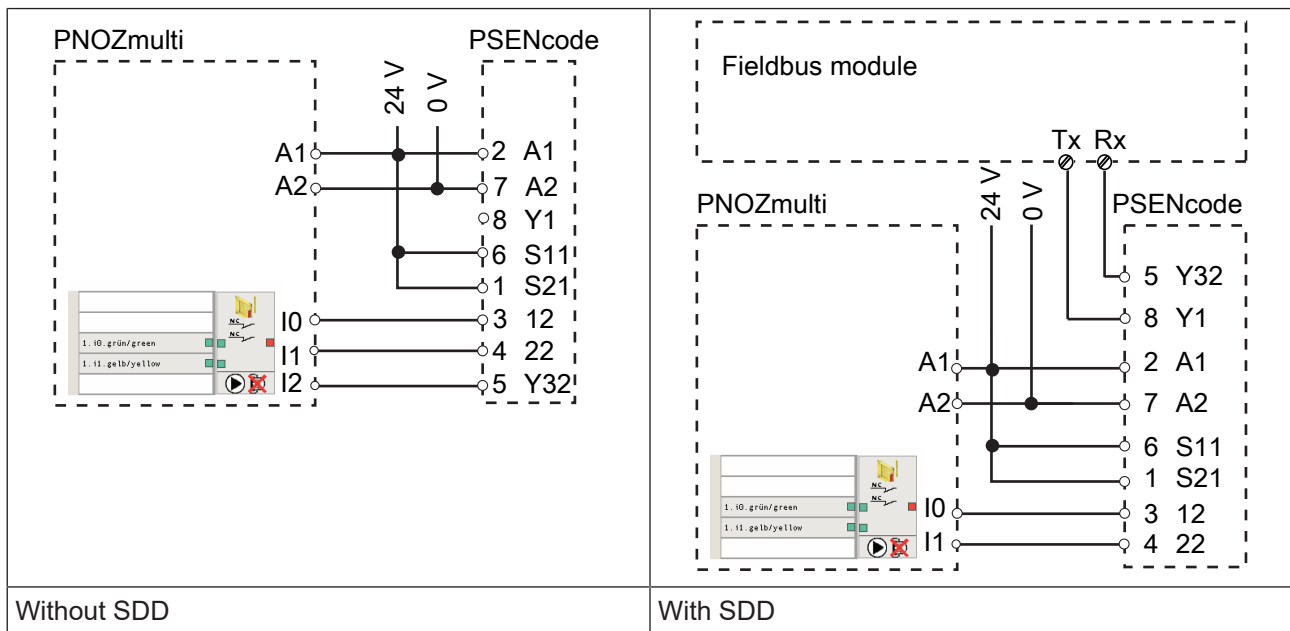
- ▶ PSS for safety gate monitoring with standard function block SB064, SB066 or FS_Safety Gate

The correct connection to the respective evaluation device is described in the operating manual for the evaluation device. Make sure that the connection is made in accordance with the specifications in the operating manual for the selected evaluation device.

The connections to two evaluation devices are shown on the following pages, by way of example:

- ▶ PNOZ s3 and
- ▶ PNOZmulti





Teaching in the actuator

The first actuator to be detected by the safety switch (see Intended use) is taught in automatically as soon as it is brought into the response range.



NOTICE

No other actuator may be taught in once this actuator has been taught.

Installation

General



CAUTION!

Potential loss of safety function due to changed device properties

The unit's properties may be affected if installed in an environment containing electrically or magnetically conductive material.

- Please check the operating distances and the assured release distance.

- ▶ The safety switch and actuator should be installed opposite each other in parallel.
- ▶ Torque setting: Please note the information provided under [Technical details](#) [33].
- ▶ The distance between two safety switches must be maintained (see [Technical details](#) [33]).

- ▶ Make sure that the safety switch and actuator cannot be used as an end stop.
- ▶ Please note the installation measures in accordance with EN ISO 14119 for a safety switch design 4 and with level of coding High.
- ▶ Please note the permitted bending radii for the cable (see [Technical details \[33\]](#)), to avoid excessive force on the individual strands.
- ▶ Make sure that the bend protection is not damaged. Such damage can cause the whole product to fail.
- ▶ For simpler installation, the mounting brackets (see [Order reference for Accessories \[42\]](#)) can be used.

Safety switch


- ▶ Safety switches should only be secured using M4 screws with a flat head (e.g. M4 cheese-head or pan head screws).

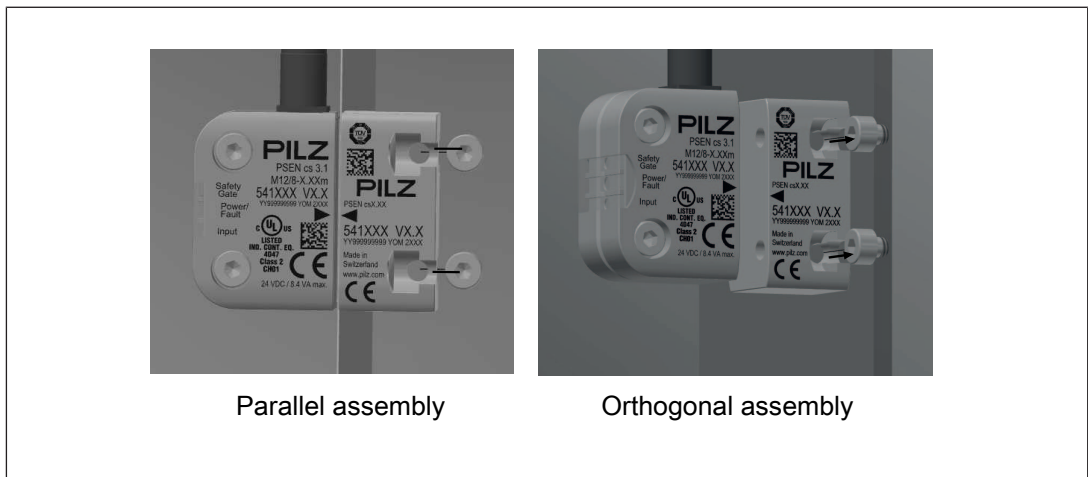
Procedure:

1. Provide the mounting surface with two drill holes for fastening the safety switch (see [Dimensions in mm \[30\]](#)).
2. Use two screws to fix the safety switch in place. Do not fully tighten the 2nd screw on the safety switch.


Actuator cs2.1 or cs4.1

Procedure actuator PSEN cs4.1:

1. Only use M4 screws with a flat head (e.g. M4 cheese-head or pan head screws).
Provide the mounting surface with two drill holes for the screw connection of the actuator (see [Dimensions in mm](#) [ 30]).
2. Attach the screws for the actuator, leaving a distance of 3 ... 6 mm between the screw head and plate.
3. Slide the actuator on to the screws. The arrows on the labelled surfaces of the safety switch and actuator must face each other. Align the actuator and tighten the screws.
4. The actuator should be protected from unauthorised removal and from contamination. Close the mounting holes using the seals provided. The use of seals should be regarded as equivalent to using permanent fastenings in accordance with EN ISO 14119.



Procedure actuator PSEN cs2.1:

1. Use permanently secured M5 safety screws with a flat head (e.g. M5 cheese-head or pan head screws).
Provide the mounting surface with two drill holes for the screw connection of the actuator (see [Dimensions in mm](#) [ 30]).
2. Use two screws to fix the actuator in place. Align the actuator and tighten the screws.



Actuator cs3.1 low profile



WARNING!

Loss of the manipulation protection by inadequate environmental conditions

The loss of the manipulation protection can allow manipulation of the interlocking device and it may lead to serious injury or death.

- Make sure that the actuator has no direct or repetitive contact with materials such as methyl ethyl ketone (MEK), petrol or isopropanol.

- ▶ The actuator is secured against unauthorised removal, and against contamination by the sealing. The seal should be regarded as equivalent to using permanent fastenings in accordance with EN ISO 14119.
- ▶ By removing the actuator, the actuator will be destroyed.
- ▶ The actuator's adhesive force on the materials aluminium, stainless steel, polycarbonate and glass was checked. For deviating surface materials check the adhesive force on the surface.
- ▶ After a cure time of 24 hours, 90 % of the final adhesive force are achieved. The hardening must take place at min. 20 °C. With lower temperatures the cure time is clearly extended.
- ▶ No continuous force must affect the actuator.

Procedure actuator PSEN cs4.1 low profile glue

1. To seal the low profile actuators correctly, it is necessary to prepare the surface to which the actuator is to be attached.

The surface must be clean, dry and free of grease.

Wipe off any solved grease and contaminations with a new, dry paper cloth.

Clean the surface with 70% isopropanol. Use lint-free paper cloths and change the paper cloths frequently.

The adhesive surface is clean when the paper remains clean.

The cleaned surfaces must be sealed immediately to prevent any new contamination by dust and fingerprints.

2. Remove the protective foil from the assembly aid and fix it to the sensing area of the safety switch.
3. Place the actuator into the assembly aid so that the actuator's covered adhesive surface is on the surface.

Make sure that the actuator's centre is on the same level as the orientation arrows of the sensor and in the centre of the sensor.

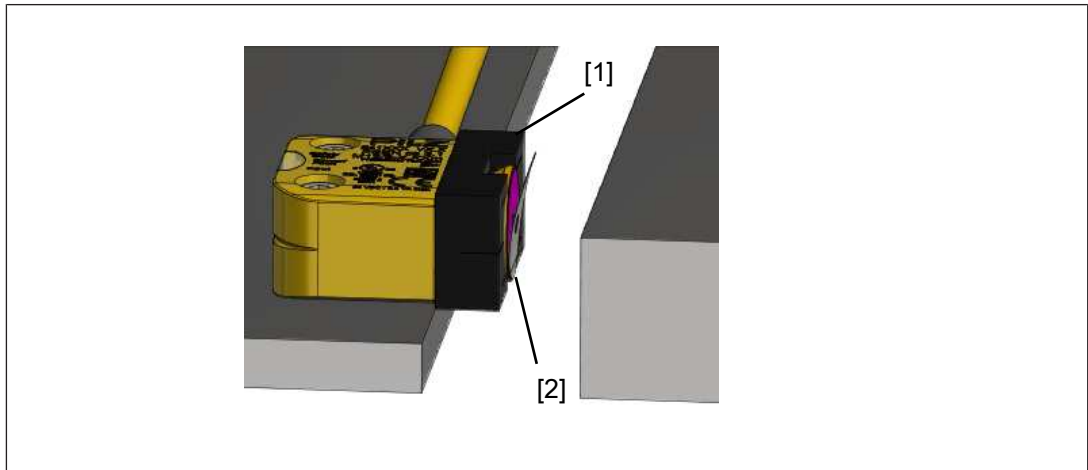


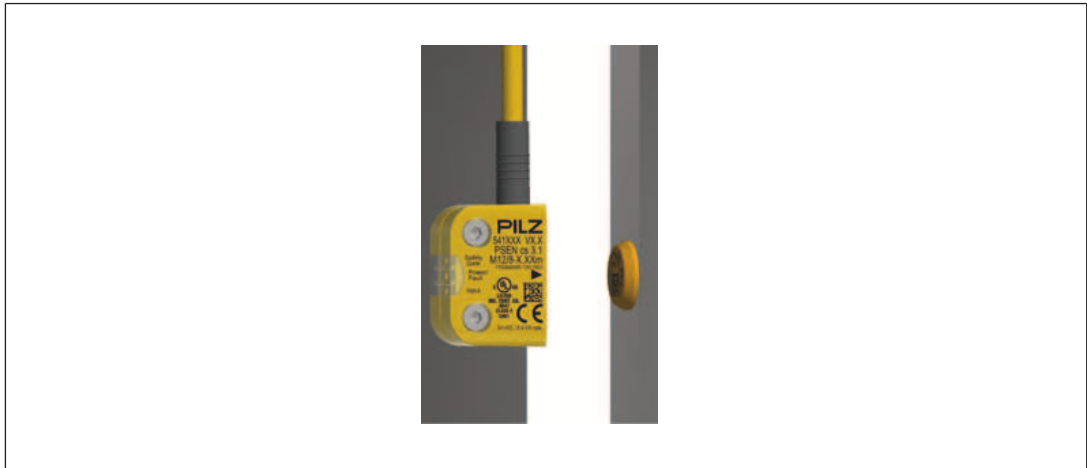
Fig.: Safety switch with assembly aid and low profile actuator

Legend

[1] Assembly aid for low profile actuator



[2] low profile actuator

4. Remove the protective foil from the adhesive foil of the actuator.
Do not touch the adhesive foil after removing the protective foil!
5. Close the safety gate carefully and then press the actuator to the adhesive position.
6. Press on the actuator for at least 3 seconds with approx. 50 N.
After this time, an adhesive force of approx. 50 % is achieved. The full adhesive force is achieved after 72 hours at an ambient temperature of at least 20 °C.



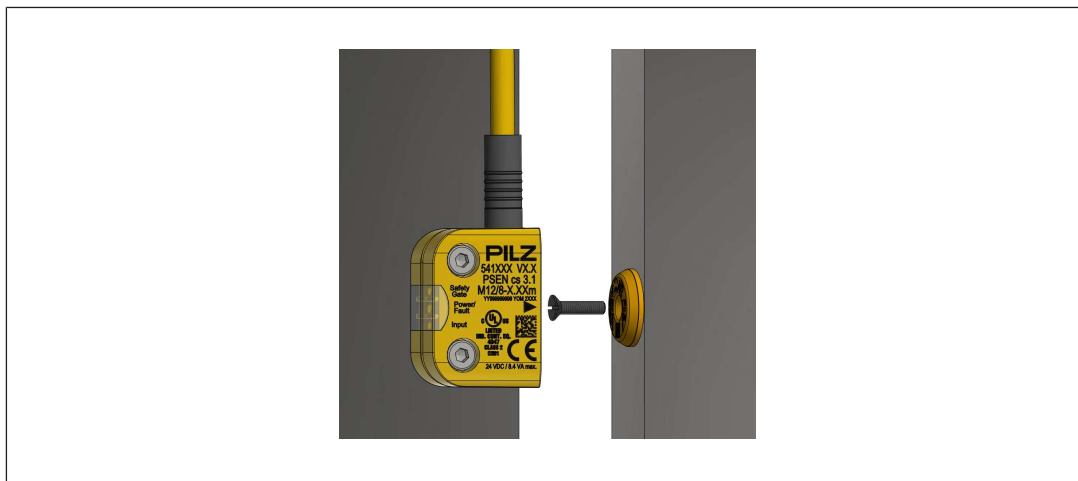
7. Check the adhesive force of the glue after 10 minutes.
The actuator must no move when pressed sideways.
8. Remove the assembly aid from the safety switch and clean the sensing area of the safety switch.

Procedure actuator PSEN cs4.1 low profile screw

1. Provide the mounting surface with a drill hole for an additional screw connection of the actuator (see [Dimensions in mm](#)  30]).
2. To seal the low profile actuators correctly, it is necessary to prepare the surface to which the actuator is to be attached.
The surface must be clean, dry and free of grease.
Wipe off any solved grease and contaminations with a new, dry paper cloth.
Clean the surface with 70% isopropanol. Use lint-free paper cloths and change the paper cloths frequently.
The adhesive surface is clean when the paper remains clean.
The cleaned surfaces must be sealed immediately to prevent any new contamination by dust and fingerprints.
3. Remove the protective foil from the assembly aid and fix it to the sensing area of the safety switch.
4. Place the actuator into the assembly aid so that the actuator's covered adhesive surface is on the surface.
Make sure that the actuator's centre is on the same level as the orientation arrows of the sensor and in the centre of the sensor.
5. Remove the protective foil from the adhesive foil of the actuator.
Do not touch the adhesive foil after removing the protective foil!
6. Insert the screw into the actuator's hole and position the screw at the hole on the mounting surface.
To screw on the actuator, use the supplied plastic M3 countersunk screw.
When using a screw mad from metal the operating distance change, please note the [Warning](#)  22].

7. Press on the actuator for at least 3 seconds with approx. 50 N.

After this time, an adhesive force of approx. 50 % is achieved. The full adhesive force is achieved after 72 hours at an ambient temperature of at least 20 °C.

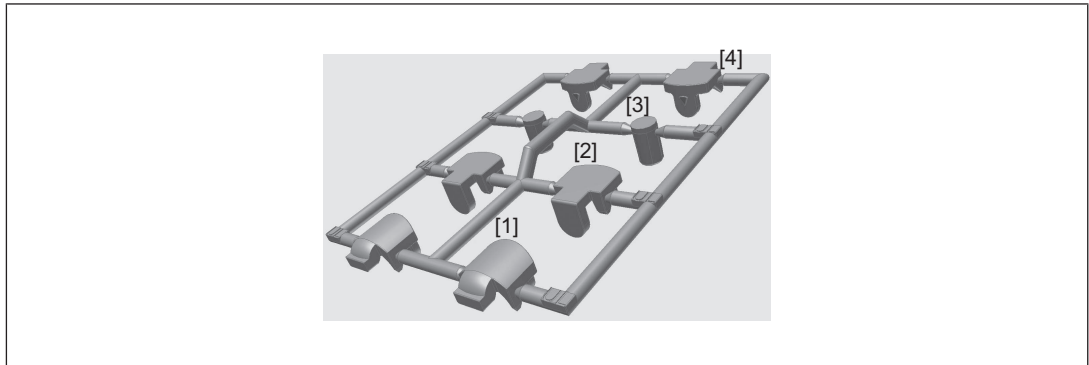


8. Check the adhesive force of the glue after 10 minutes.
The actuator must no move when pressed sideways.
9. Tighten the M3 plastic screw to 0,8 Nm.

Align safety switch and actuator

Procedure:




1. Align the safety switch and tighten the screws.
2. Actuator PSEN cs4.1
Align the actuator and tighten the screws.
3. Close the mounting holes using the seals provided (see diagram).
Use the seals [1] for UL approval or [4] without UL approval.



Legend

- [1] Side seal with UL approval
 - [2] Bottom seal
 - [3] Top seal, sensing side
 - [4] Side seal without UL approval
4. Use the seals to close the mounting holes on the sensing face of the safety switch (see diagram, [3]).
 5. If necessary, use the seals to close the unused mounting holes on the actuator (see diagram, [2]).

Adjustment

- ▶ The stated operating distances (see [Technical details](#)  33) only apply when the safety switch and actuator are installed facing each other in parallel. Operating distances may deviate if other arrangements are used.
- ▶ Note the maximum permitted lateral and vertical offset (see [Operating distances](#)  12) and [Lateral and vertical offset](#)  12).

Operation



NOTICE

The safety function should be checked after initial commissioning and each time the plant/machine is changed. The safety functions may only be checked by qualified personnel.

Status indicators:

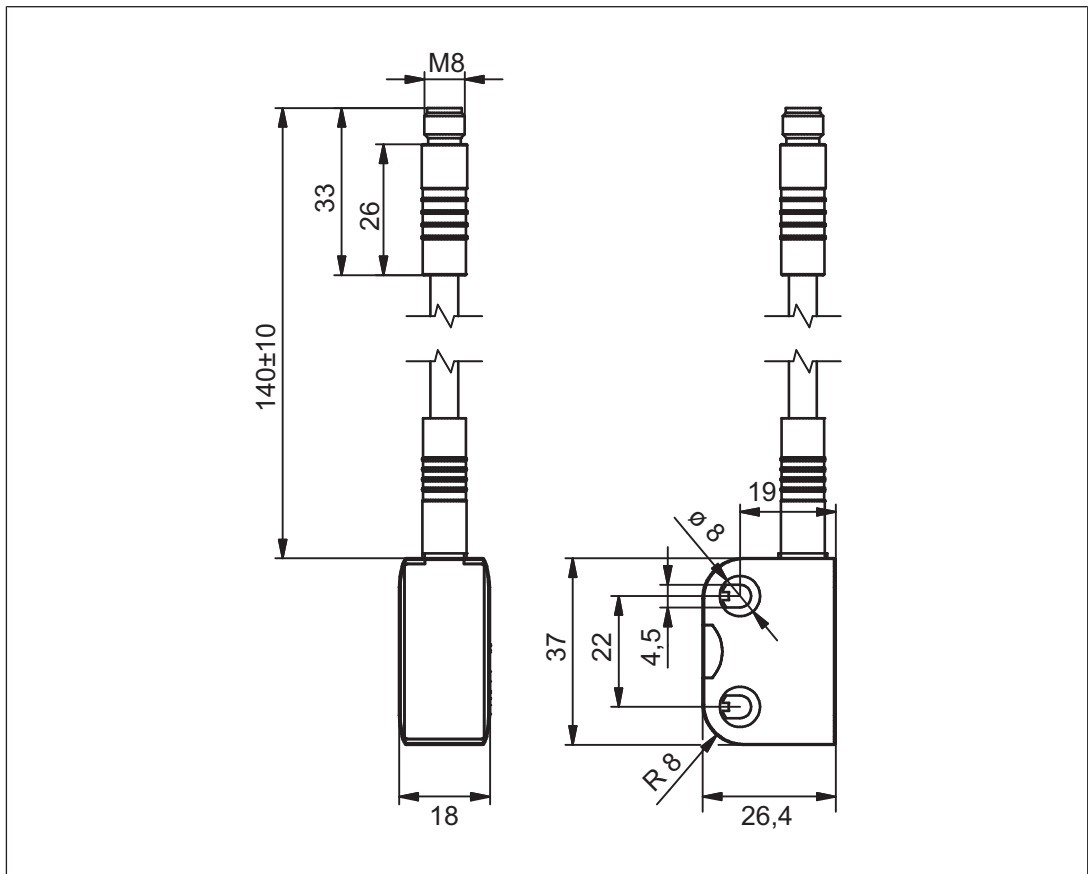
- ▶ "Power/Fault" LED lights up green: The unit is ready for operation
- ▶ "Safety Gate" LED lights up yellow: Actuator is within the response range
- ▶ "Input" LED lights up yellow: There is a high signal at both inputs

Fault indicator:

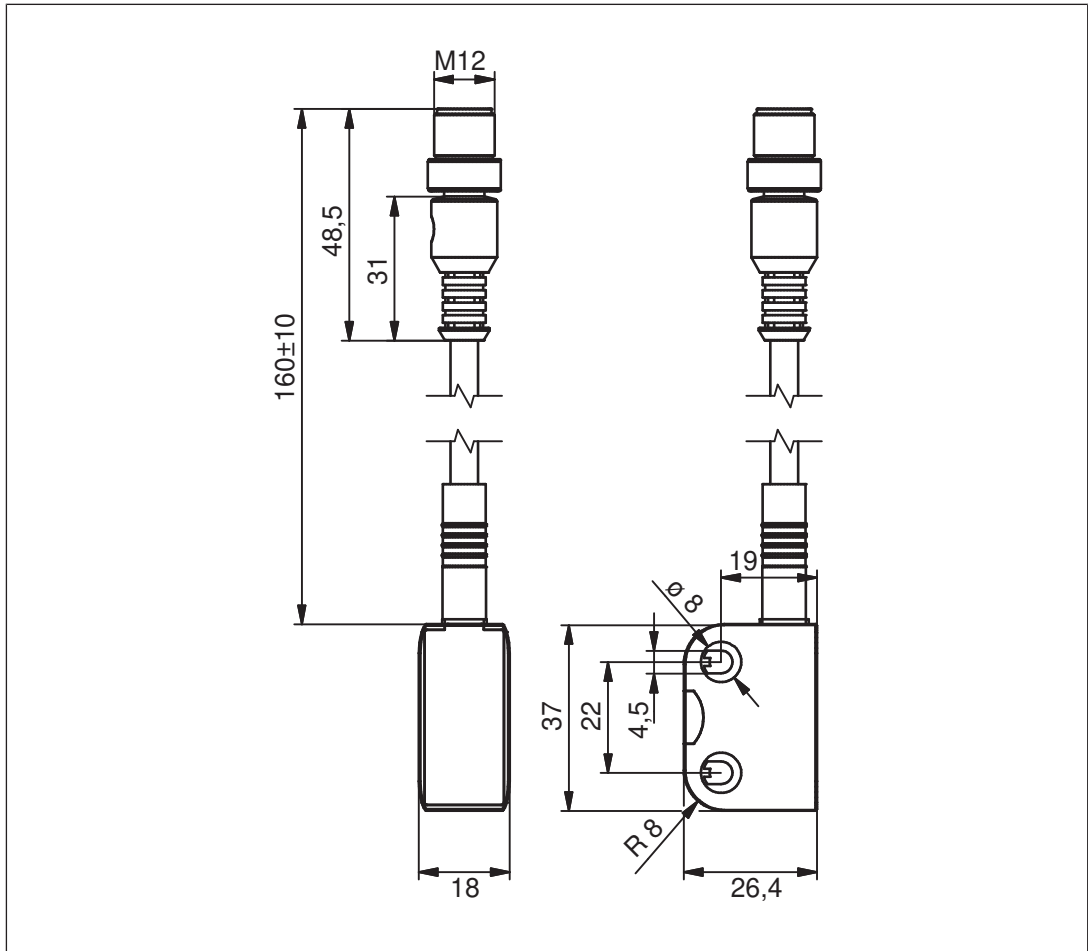
- ▶ "Input" LED lights up yellow: the signal switches from high to low at one input, while a high signal remains on the other input (partial operation).
Remedy: Open both channels of the input circuit.
- ▶ "Power/Fault" LED lights up red: Error message
Remedy: Rectify fault and interrupt power supply.

Dimensions in mm

Safety switch PSEN cs4.2p



Safety switch PSEN cs4.2 M12/8-0.15m



Actuator

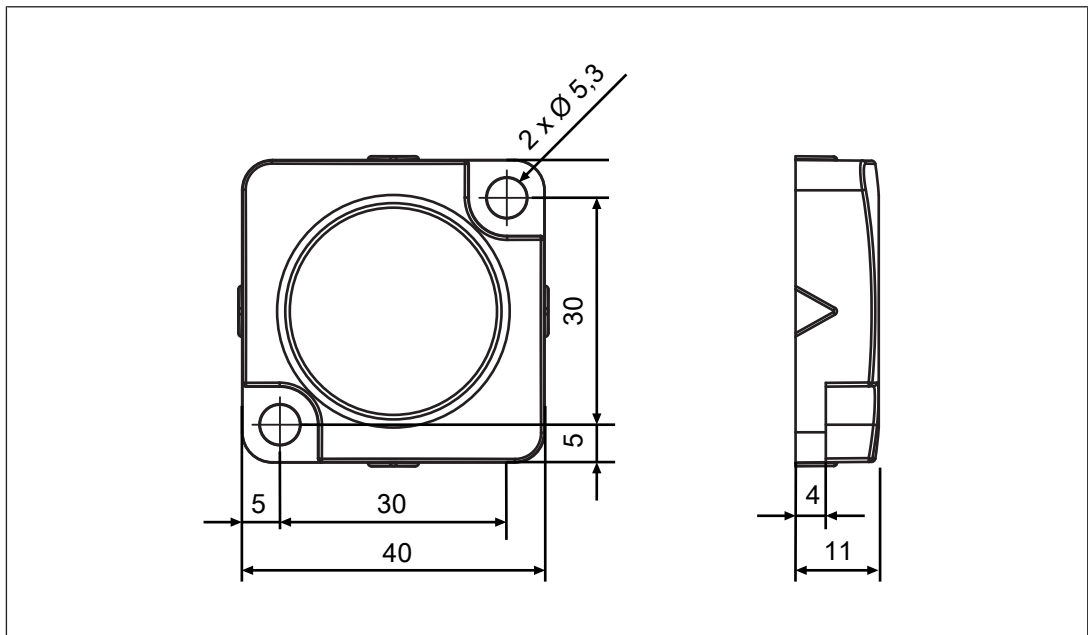


Fig.: Actuator PSEN cs2.1

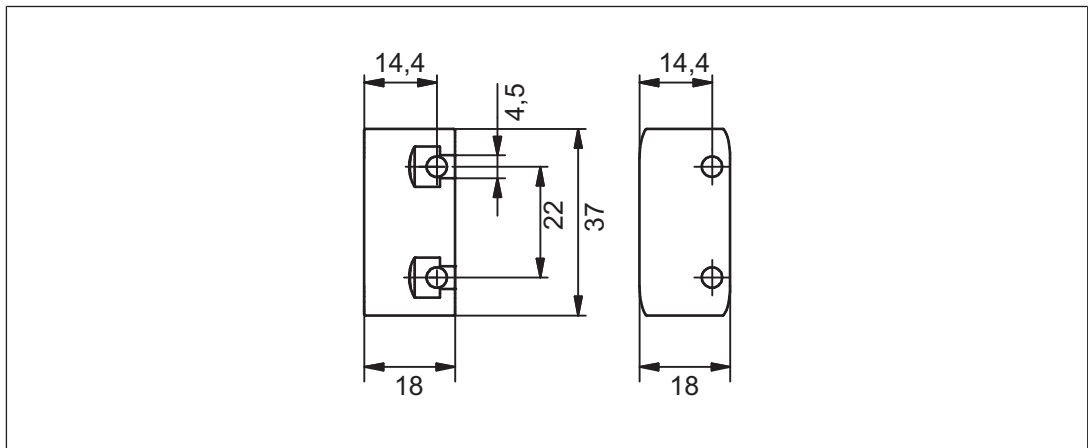
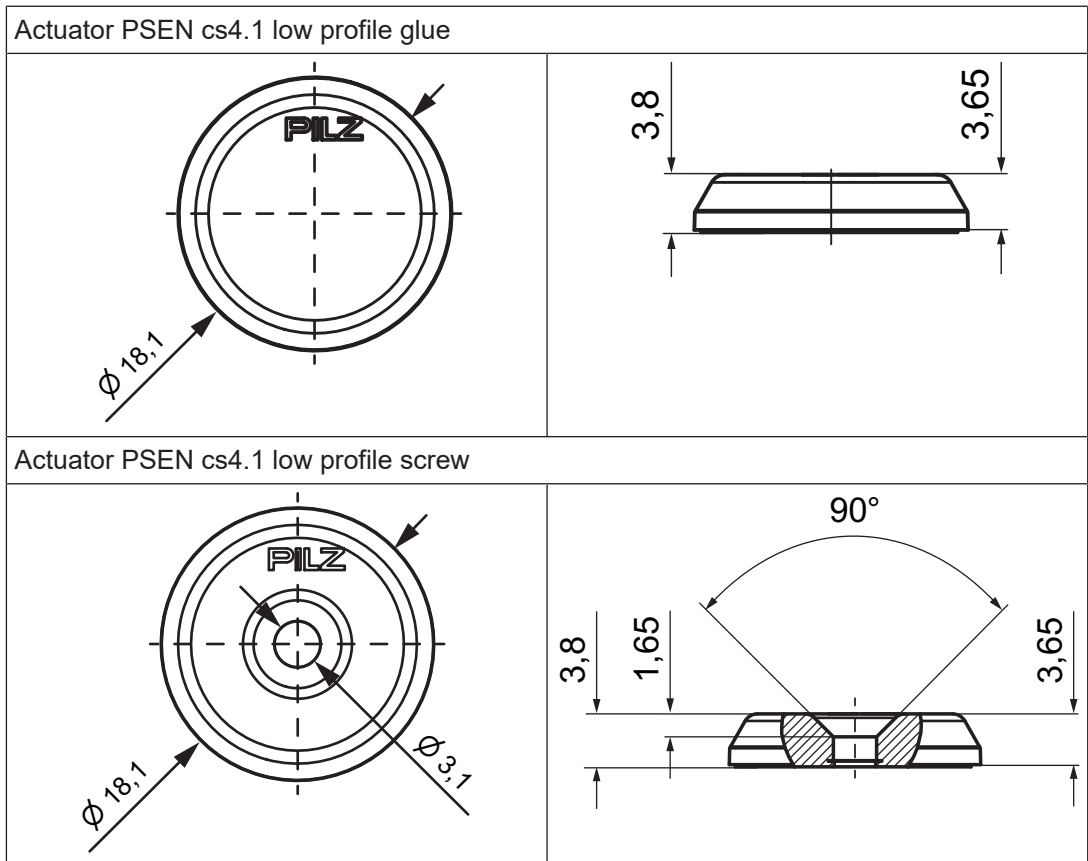


Fig.: Actuator PSEN cs4.1



Technical details safety switch

| General | 541259 | 541260 |
|--|--|--|
| Certifications | CE, EAC (Eurasian), FCC, IC, TÜV, cULus Listed | CE, EAC (Eurasian), FCC, IC, TÜV, cULus Listed |
| Sensor's mode of operation | Transponder | Transponder |
| Coding level in accordance with EN ISO 14119 | High | High |
| Design in accordance with EN ISO 14119 | 4 | 4 |
| Classification in accordance with EN 60947-5-3 | PDDB | PDDB |
| Pilz coding type | uniquely coded | uniquely coded |
| Transponder | 541259 | 541260 |
| Frequency band | 122 kHz - 128 kHz | 122 kHz - 128 kHz |
| Max. transmitter output | 15 mW | 15 mW |
| Electrical data | 541259 | 541260 |
| Supply voltage | | |
| Voltage | 24 V | 24 V |
| Kind | DC | DC |
| Voltage tolerance | -20 %/+20 % | -20 %/+20 % |
| Output of external power supply (DC) | 1 W | 1 W |
| Max. switching frequency | 3 Hz | 3 Hz |
| Max. cable capacitance at the safety outputs | | |
| No-load, PNOZ with relay contacts | 400 nF | 400 nF |
| PNOZmulti, PNOZelog, PSS | 400 nF | 400 nF |
| Max. inrush current impulse | | |
| Current pulse, A1 | 0,58 A | 0,58 A |
| Pulse duration, A1 | 1 ms | 1 ms |
| No-load current | 20 mA | 20 mA |
| Inputs | 541259 | 541260 |
| Number | 2 | 2 |
| Voltage at inputs | 24 V DC | 24 V DC |
| Input current range | 5 mA | 5 mA |
| Max. overall cable resistance R _{I-max} | | |
| Single-channel at UB DC | 1000 Ohm | 1000 Ohm |
| Semiconductor outputs | 541259 | 541260 |
| OSSD safety outputs | 2 | 2 |
| Signal outputs | 1 | 1 |
| Switching current per output | 100 mA | 100 mA |
| Breaking capacity per output | 2,4 W | 2,4 W |
| Potential isolation from system voltage | No | No |

| Semiconductor outputs | 541259 | 541260 |
|--|----------------------------|----------------------------|
| Short circuit-proof | yes | yes |
| Residual current at outputs | 20 µA | 20 µA |
| Voltage drop at OSSDs | 3,5 V | 3,5 V |
| Lowest operating current | 0 mA | 0 mA |
| Utilisation category in accordance with EN 60947-1 | DC-12 | DC-12 |
| Times | 541259 | 541260 |
| Test pulse duration, safety outputs | 450 µs | 450 µs |
| Switch-on delay | | |
| after UB is applied | 1 s | 1 s |
| Inputs typ. | 13 ms | 13 ms |
| Inputs max. | 20 ms | 20 ms |
| Actuator typ. | 60 ms | 60 ms |
| Actuator max. | 150 ms | 150 ms |
| Delay-on de-energisation | | |
| Inputs typ. | 15 ms | 15 ms |
| Inputs max. | 20 ms | 20 ms |
| Actuator typ. | 40 ms | 40 ms |
| Actuator max. | 260 ms | 260 ms |
| Risk time in accordance with EN 60947-5-3 | 260 ms | 260 ms |
| Supply interruption before de-energisation | 10 ms | 10 ms |
| Simultaneity, channel 1 and 2 max. | ∞ | ∞ |
| Environmental data | 541259 | 541260 |
| Ambient temperature | | |
| In accordance with the standard | EN 60068-2-14 | EN 60068-2-14 |
| Temperature range | -25 - 70 °C | -25 - 70 °C |
| Storage temperature | | |
| In accordance with the standard | EN 60068-2-1/-2 | EN 60068-2-1/-2 |
| Temperature range | -25 - 70 °C | -25 - 70 °C |
| Climatic suitability | | |
| In accordance with the standard | EN 60068-2-78 | EN 60068-2-78 |
| Humidity | 93 % r. h. at 40 °C | 93 % r. h. at 40 °C |
| EMC | EN 60947-5-3 | EN 60947-5-3 |
| Vibration | | |
| In accordance with the standard | EN 60947-5-2 | EN 60947-5-2 |
| Frequency | 10 - 55 Hz | 10 - 55 Hz |
| Amplitude | 1 mm | 1 mm |
| Shock stress | | |
| In accordance with the standard | EN 60947-5-2 | EN 60947-5-2 |
| Acceleration | 30g | 30g |
| Duration | 18 ms | 18 ms |

| Environmental data | 541259 | 541260 |
|---|-----------------------------|-----------------------------|
| Airgap creepage | | |
| Overvoltage category | III | III |
| Pollution degree | 3 | 3 |
| Rated insulation voltage | 75 V | 60 V |
| Rated impulse withstand voltage | 0,8 kV | 0,8 kV |
| Protection type | | |
| Housing | IP6K9K | IP6K9K |
| Connector | IP67 | IP67 |
| Operating distances | 541259 | 541260 |
| Actuator 1 | | |
| Type | PSEN cs4.1 | PSEN cs4.1 |
| Assured operating distance Sao | 8 mm | 8 mm |
| Typical operating distance So | 11 mm | 11 mm |
| Assured release distance Sar | 20 mm | 20 mm |
| Typical release distance Sr | 14 mm | 14 mm |
| Repetition accuracy switching distances | 10 % | 10 % |
| Change of operating distance with temperature changes | +0,01mm/°C | +0,01mm/°C |
| Typ. Hysteresis | 2 mm | 2 mm |
| Actuator 2 | | |
| Type | PSEN cs2.1 | PSEN cs2.1 |
| Assured operating distance Sao | 10 mm | 10 mm |
| Typical operating distance So | 25 mm | 25 mm |
| Assured release distance Sar | 33 mm | 33 mm |
| Typical release distance Sr | 29 mm | 29 mm |
| Repetition accuracy switching distances | 10 % | 10 % |
| Change of operating distance with temperature changes | +0,1mm/°C | +0,1mm/°C |
| Typ. Hysteresis | 3 mm | 3 mm |
| Actuator 3 | | |
| Type | PSEN cs4.1 low profile glue | PSEN cs4.1 low profile glue |
| Assured operating distance Sao | 5 mm | 5 mm |
| Typical operating distance So | 10 mm | 10 mm |
| Assured release distance Sar | 20 mm | 20 mm |
| Typical release distance Sr | 12 mm | 12 mm |
| Repetition accuracy switching distances | 10 % | 10 % |
| Change of operating distance with temperature changes | +0,01mm/°C | +0,01mm/°C |
| Typ. Hysteresis | 2 mm | 2 mm |

| Operating distances | 541259 | 541260 |
|---|--|--|
| Actuator 4 | | |
| Typ | PSEN cs4.1 low profile screw | PSEN cs4.1 low profile screw |
| Assured operating distance Sao | 5 mm | 5 mm |
| Typical operating distance So | 10 mm | 10 mm |
| Assured release distance Sar | 20 mm | 20 mm |
| Typical release distance Sr | 12 mm | 12 mm |
| Repetition accuracy switching distances | 10 % | 10 % |
| Change of operating distance with temperature changes | +0,01mm/°C | +0,01mm/°C |
| Typical hysteresis | 2 mm | 2 mm |
| Mechanical data | 541259 | 541260 |
| Min. bending radius (fixed permanently) K1 | 5 x Ø | 5 x Ø |
| Min. bending radius (moving) K1 | 10 x Ø | 10 x Ø |
| Cable diameter K1 | 5,55 mm | 5,55 mm |
| Min. distance between safety switches | 100 mm | 100 mm |
| Sensor flush installation in accordance with EN 60947-5-2 | Yes, follow installation guidelines | Yes, follow installation guidelines |
| Connection type | M12, 8-pin male connector | M8, 8-pin male connector |
| Cable | Li9Y11Y 8 x 0,14 mm² | Li9Y11Y 8 x 0,14 mm² |
| Material | | |
| Top | PBT | PBT |
| Max. torque setting for fixing screws | 0,8 Nm | 0,8 Nm |
| Dimensions | | |
| Height | 37 mm | 37 mm |
| Width | 26 mm | 26 mm |
| Depth | 18 mm | 18 mm |
| Weight of safety switch | 40 g | 35 g |

Where standards are undated, the 2016-10 latest editions shall apply.

Technical details actuator

Order no. 540180 - 541180

See below for more order numbers

| General | 540180 | 541180 |
|--|------------------------------|--|
| Certifications | CE, TÜV, cULus Listed | CE, EAC (Eurasian), TÜV, cULus Listed |
| Sensor's mode of operation | Transponder | Transponder |
| Coding level in accordance with EN ISO 14119 | High | High |
| Pilz coding type | fully coded | fully coded |

| | | |
|---------------------------------------|---------------------|---------------------|
| Transponder | 540180 | 541180 |
| Frequency band | 122 kHz - 128 kHz | 122 kHz - 128 kHz |
| Environmental data | 540180 | 541180 |
| Ambient temperature | | |
| In accordance with the standard | EN 60068-2-14 | EN 60068-2-14 |
| Temperature range | -25 - 70 °C | -25 - 70 °C |
| Storage temperature | | |
| In accordance with the standard | EN 60068-2-1/-2 | EN 60068-2-1/-2 |
| Temperature range | -40 - 85 °C | -25 - 70 °C |
| Climatic suitability | | |
| In accordance with the standard | EN 60068-2-78 | EN 60068-2-78 |
| Humidity | 93 % r. h. at 40 °C | 93 % r. h. at 40 °C |
| EMC | EN 60947-5-3 | EN 60947-5-3 |
| Vibration | | |
| In accordance with the standard | EN 60947-5-2 | EN 60947-5-2 |
| Frequency | 10 - 55 Hz | 10 - 55 Hz |
| Amplitude | 1 mm | 1 mm |
| Shock stress | | |
| In accordance with the standard | EN 60947-5-2 | EN 60947-5-2 |
| Acceleration | 30g | 30g |
| Duration | 11 ms | 18 ms |
| Protection type | | |
| Housing | IP6K9K | IP6K9K |
| Mechanical data | 540180 | 541180 |
| Material | – | PBT |
| Material | | |
| Top | PBT | – |
| Max. torque setting for fixing screws | 1 Nm | 0,8 Nm |
| Dimensions | | |
| Height | 11 mm | 37 mm |
| Width | 40 mm | 18 mm |
| Depth | 40 mm | 18 mm |
| Weight | 20 g | 11 g |

Order no. 541187 - 541188

| | | |
|--|---------------------------------------|---------------------------------------|
| General | 541187 | 541188 |
| Certifications | CE, EAC (Eurasian), TÜV, cULus Listed | CE, EAC (Eurasian), TÜV, cULus Listed |
| Sensor's mode of operation | Transponder | Transponder |
| Coding level in accordance with EN ISO 14119 | High | High |
| Pilz coding type | fully coded | fully coded |
| Transponder | 541187 | 541188 |
| Frequency band | 122 kHz - 128 kHz | 122 kHz - 128 kHz |

| Environmental data | 541187 | 541188 |
|--|----------------------------|----------------------------|
| Ambient temperature | | |
| In accordance with the standard | EN 60068-2-14 | EN 60068-2-14 |
| Temperature range | -25 - 70 °C | -25 - 70 °C |
| Max. at max. operating height | +60 °C | +60 °C |
| Max. at max. operating height <2000 m | +70 °C | +70 °C |
| Storage temperature | | |
| In accordance with the standard | EN 60068-2-1/-2 | EN 60068-2-1/-2 |
| Temperature range | -40 - 85 °C | -40 - 85 °C |
| Climatic suitability | | |
| In accordance with the standard | EN 60068-2-30 | EN 60068-2-30 |
| Humidity | 93 % r. h. at 40 °C | 93 % r. h. at 40 °C |
| Max. operating height above sea level | | |
| | 4000 m | 4000 m |
| EMC | | |
| | EN 60947-5-3 | EN 60947-5-3 |
| Vibration | | |
| In accordance with the standard | EN 60947-5-2 | EN 60947-5-2 |
| Frequency | 10 - 55 Hz | 10 - 55 Hz |
| Amplitude | 1 mm | 1 mm |
| Shock stress | | |
| In accordance with the standard | EN 60947-5-2 | EN 60947-5-2 |
| Acceleration | 30g | 30g |
| Duration | 11 ms | 11 ms |
| Protection type | | |
| Housing | IP67 | IP67 |
| Mechanical data | 541187 | 541188 |
| Material | | |
| Top | PBT | PBT |
| Max. torque setting for fixing screws | | |
| | – | 0,1 Nm |
| Dimensions | | |
| Height | 3,8 mm | 3,8 mm |
| Width | 18 mm | 18 mm |
| Depth | 18 mm | 18 mm |
| Weight | | |
| | 2 g | 2 g |

Where standards are undated, the 2016-10 latest editions shall apply.

Classification according to ZVEI, CB24I

The following tables describe the classes and specific values of the product interface and the classes of interfaces compatible with it. The classification is described in the ZVEI position paper "Classification of Binary 24 V Interfaces - Functional Safety aspects covered by dynamic testing".

Input

Interfaces

Drain

| | |
|-------|----|
| Class | C2 |
|-------|----|

Source

| | |
|-------|--------|
| Class | C2, C3 |
|-------|--------|

Drain parameters

| | |
|-------------------------------------|-------------|
| Test pulse duration, safety outputs | 500 μ s |
| Min. test pulse interval | 1,25 ms |
| Min. input resistance | 6,6 Ohm |
| Max. capacitive load | 18 pF |

Single-pole output

Interfaces

Source

| | |
|-----------|--------|
| Interface | Sensor |
| Class | C2 |

Drain

| | |
|-------|--------|
| Class | C1, C2 |
|-------|--------|

Source parameters

| | |
|--------------------------|-------------|
| Max. test pulse duration | 450 μ s |
| Max. rated current | 0,1 A |
| Max. capacitive load | 0,4 μ F |

Safety characteristic data



NOTICE

You must comply with the safety characteristic data in order to achieve the required safety level for your plant/machine.

| Operating mode | EN ISO 13849-1: 2015 PL | EN ISO 13849-1: 2015 Category | EN 62061 SIL CL | EN 62061 PFH _D [1/h] | IEC 61511 SIL | IEC 61511 PFD | EN ISO 13849-1: 2015 T _M [year] |
|----------------|----------------------------|----------------------------------|--------------------|------------------------------------|------------------|------------------|---|
| 2-ch. OSSD | PL e | Cat. 4 | SIL CL 3 | 2,62E-09 | – | 7,68E-05 | 20 |

Explanatory notes for the safety-related characteristic data:

- ▶ The SIL CL value in accordance with EN 62061 corresponds to the SIL value in accordance with EN 61508.
- ▶ T_M is the maximum mission time in accordance with EN ISO 13849-1. The value also applies as the retest interval in accordance with EN 61508-6 and IEC 61511 and as the proof test interval and mission time in accordance with EN 62061.

All the units used within a safety function must be considered when calculating the safety characteristic data.



INFORMATION

A safety function's SIL/PL values are **not** identical to the SIL/PL values of the units that are used and may be different. We recommend that you use the PASCAL software tool to calculate the safety function's SIL/PL values.

Supplementary data

Radio approval

USA/Canada

FCC ID: VT8-PSENCSS3
IC: 7482A-PSENCSS3

FCC/IC-Requirements:

This product complies with Part 15 of the FCC Rules and with Industry Canada licence-exempt RSS standards.

Operation is subject to the following two conditions:

- 1) this product may not cause harmful interference, and
- 2) this product must accept any interference received, including interference that may cause undesired operation.

Changes or modifications made to this product not expressly approved by Pilz may void the FCC authorization to operate this equipment.

NOTE: This equipment has been tested and found to comply with the limits for a Class A digital device, pursuant to Part 15 of the FCC Rules. These limits are designed to provide reasonable protection against harmful interference when the equipment is operated in a commercial environment. This equipment generates, uses, and can radiate radio frequency energy and, if not installed and used in accordance with the instruction manual, may cause harmful interference to radio communications. Operation of this equipment in a residential area is likely to cause harmful interference in which case the user will be required to correct the interference at his own expense.

Le présent produit est conforme aux CNR d'Industrie Canada applicables aux appareils radio exempts de licence. L'exploitation est autorisée aux deux conditions suivantes:

- (1) le produit ne doit pas produire de brouillage, et
- (2) l'utilisateur de le produit doit accepter tout brouillage radioélectrique subi, même si le brouillage est susceptible d'en compromettre le fonctionnement.

Order reference

Safety switch

| Product type | Features | | Order no. |
|--------------------------------------|-------------------------------------|---|-----------|
| PSEN cs4.2 M12/8-0.15m 1switch | Safety switch, uniquely fully coded | 8-pin M12 male connector, 0.15 m cable | 541 259 |
| PSEN cs4.2p 1switch | Safety switch, uniquely fully coded | 8-pin M8 male connector | 541 260 |

Actuator

| Product type | Features | | Order no. |
|---|-------------------------------------|--|-----------|
| PSEN cs2.1 1 actuator | Actuator, fully coded | | 540 180 |
| PSEN cs4.1 1 actuator | Actuator, fully coded | | 541 180 |
| PSEN cs4.1 low profile glue 1 actuator | Actuator fully coded, without screw | | 541 187 |
| PSEN cs4.1 low profile screw 1 actuator | Actuator fully coded, with screw | | 541 188 |

Complete systems

| Product type | Features | | Order no. |
|---|--|--|-----------|
| PSEN cs4.2 M12/8-0.15m/PSEN cs4.1 1Unit | Safety gate system, uniquely fully coded | 8-pin M12 male connector, 0.15m cable | 541 209 |
| PSEN cs4.2p /PSEN cs4.1 1unit | Safety gate system, uniquely fully coded | 8-pin M8 male connector | 541 210 |

Accessories**Installation materials**

| Product type | Features | Order no. |
|---------------------------------|---|-----------|
| PSEN bracket | Mounting bracket | 532 110 |
| PSEN mag/cs bracket straight | Mounting aid | 532 111 |
| PSEN screw M4x20 10pcs | Safety screws made from stainless steel with one-way slot | 540 313 |
| PSEN screw M4x26 10pcs | Safety screws made from stainless steel with one-way slot | 540 314 |

Cable

| Product type | Connection 1 | Connection 2 | Length | Order no. |
|-------------------------------|------------------------------|---------------------------|--------|-----------|
| PSEN cable M12-8sf | Straight, M12, 8-pin, socket | Open cable | 3 m | 540 319 |
| | | | 5 m | 540 320 |
| | | | 10 m | 540 321 |
| | | | 20 m | 540 333 |
| | | | 30 m | 540 326 |
| PSEN cable M12-8af | Angled, M12, 8-pin, socket | Open cable | 3 m | 540 322 |
| | | | 5 m | 540 323 |
| | | | 10 m | 540 324 |
| | | | 30 m | 540 325 |
| PSEN cable M12-8sf M12-8sm | straight, M12, 8-pin, socket | straight, M12, 8-pin, pin | 2 m | 540 340 |
| | | | 5 m | 540 341 |
| | | | 10 m | 540 342 |
| | | | 20 m | 540 343 |
| | | | 30 m | 540 344 |

Series connection

| Product type | Connection X1 | Connection X2 | Connection X3 | Order no. |
|--------------------------------------|--|--------------------|--------------------|-----------|
| PSEN Y junction M12 SENSOR | M12, 8-pin, pin | M12, 8-pin, socket | M12, 8-pin, socket | 540 315 |
| PSEN Y junction M12 cable channel | M12, 8-pin, pin | M12, 8-pin, socket | M12, 8-pin, socket | 540 316 |
| PSEN T junction M12 | M12, 8-pin, socket | M12, 8-pin, pin | M8, 4-pin, pin | 540 331 |
| PSEN Y junction M8-M12/ M12 PIGTAIL | M12, 8-pin, socket | M12, 8-pin, pin | M8, 8-pin, socket | 540 337 |
| PSEN Y junction M12-M12/ M12 PIGTAIL | M12, 8-pin, socket | M12, 8-pin, pin | M12, 8-pin, socket | 540 338 |
| PDP67 F 4 code | Decentralised passive junction | | | 773 603 |
| PDP67 F 4 code VA | Decentralised passive junction, V2A ring nut | | | 773 613 |

Safety Device Diagnostics

| Product type | Features | Connection type | Order no. |
|------------------|---|------------------------|-----------|
| PSEN ix2 F4 code | Interface for connecting max. 4 PSEN safety sensors | Spring-loaded terminal | 535 111 |
| PSEN ix2 F8 code | Interface for connecting max. 8 PSEN safety sensors | Spring-loaded terminal | 535 112 |
| SDD ES ETH | Fieldbus module Modbus/ TCP for Safety Device Diagnostics | Spring-loaded terminal | 540 130 |
| SDD ES Profibus | Fieldbus module Profibus for Safety Device Diagnostics | Spring-loaded terminal | 540 132 |
| SDD ES Profinet | Fieldbus module for Safety Device Diagnostics | Spring-loaded terminal | 540 138 |

EC declaration of conformity

This product/these products meet the requirements of the following directives of the European Parliament and of the Council.

- ▶ 2006/42/EC on machines
- ▶ 2014/53/EC on radio equipment

The complete EC Declaration of Conformity is available on the Internet at www.pilz.com/downloads.

Representative: Norbert Fröhlich, Pilz GmbH & Co. KG, Felix-Wankel-Str. 2, 73760 Ostfildern, Germany